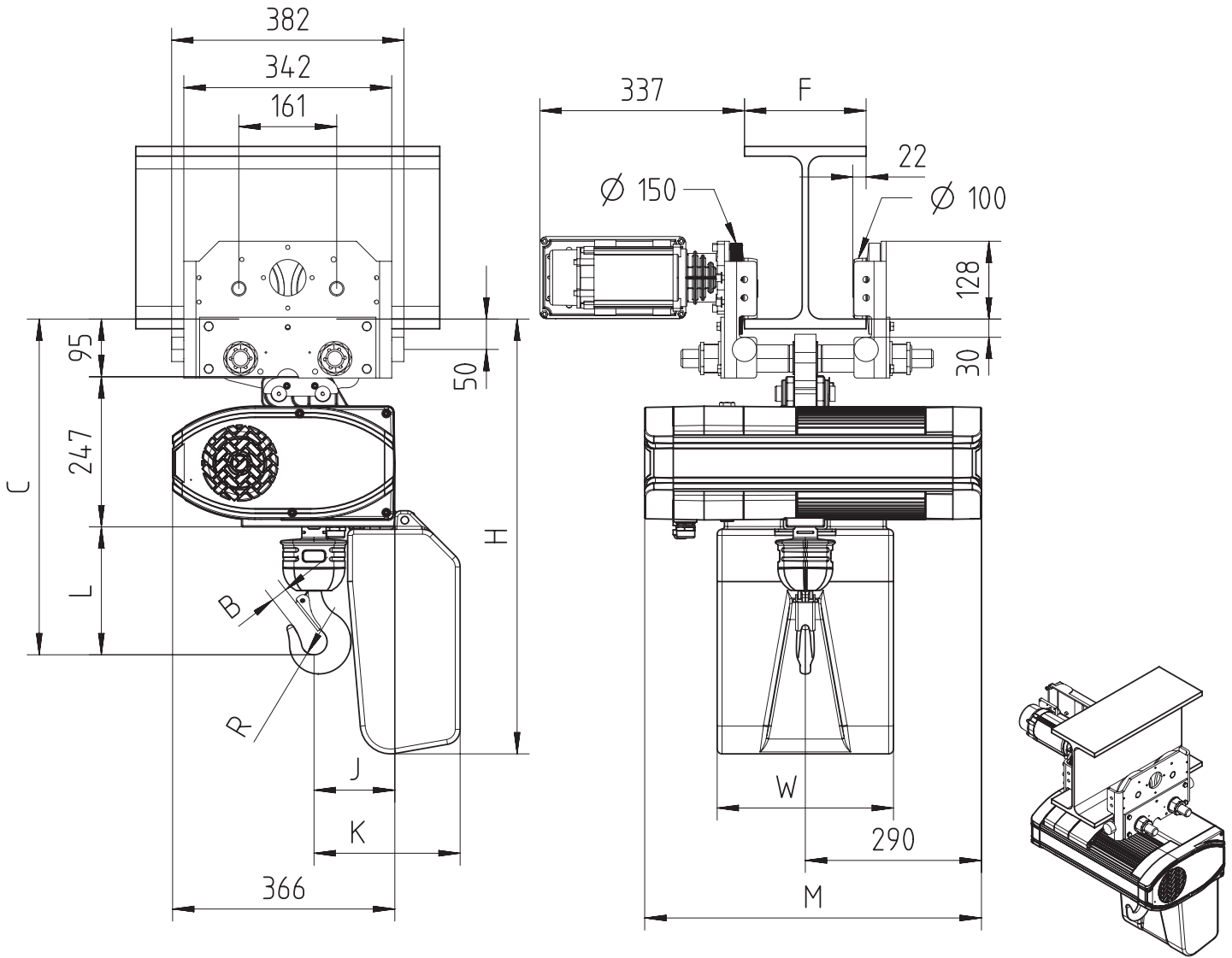


Accouplé à C3 chariot à direction électrique FNU (version perpendiculaire)
Fixed to C3 electric travel trolley FNU (perpendicular version)
Mit C3 Motorfahrwerk FNU (Quer zur Kettenzugachse)



Chain Size [mm]	Falls	Chain bag max capacity [m]	Max load kg	Dimensions [mm]								Weights [kg]					
				B	C	L	R	J	K	H	W	M		Weight of 3m of chain	Total weight w/o chain		
												Classic/ GLS	Neo/ DB		Classic	Neo	GLS
9X27	1	12	1600	26	552	210	22	133	240	716	290	554	668	5.31	144.3		
9X27	1	30	1600						315	891	300			5.31	144.3		
9X27	2	12	3200	35	678	336	25	175	282	716	290	554	668	5.31	147.8		
9X27	2	30	3200						357	891	300			5.31	147.8		
7X20	1	12	1250	28	599	257	21	133	240	716	290	554	668	3.36	143.6		
7X20	1	30	1250						315	891	300			3.36	143.6		

GLS = Gear Limit Switch
DB = Double Brake

SWF behält sich das Recht auf Veränderung oder Richtigstellung der oben genannten Information ohne weitere Mitteilung vor.

SWF reserves the right to alter or amend the above information without notice.

SWF se réserve le droit de modifier sans préavis les caractéristiques de son matériel.

DISCLOSED WITHOUT PRIOR WRITTEN CONSENT OF THE COMPANY . ANY COPIES OF THIS DOCUMENT MADE BY ANY METHOD MUST ALSO INCLUDE A COPY OF THIS LEGEND.