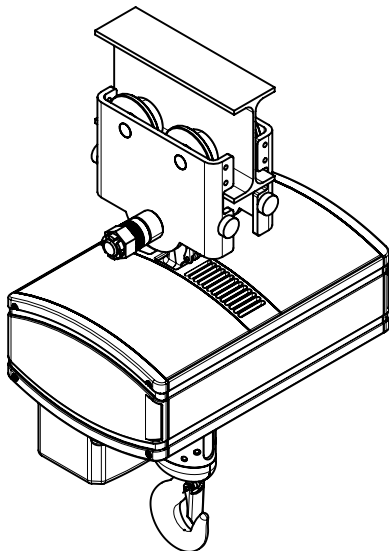
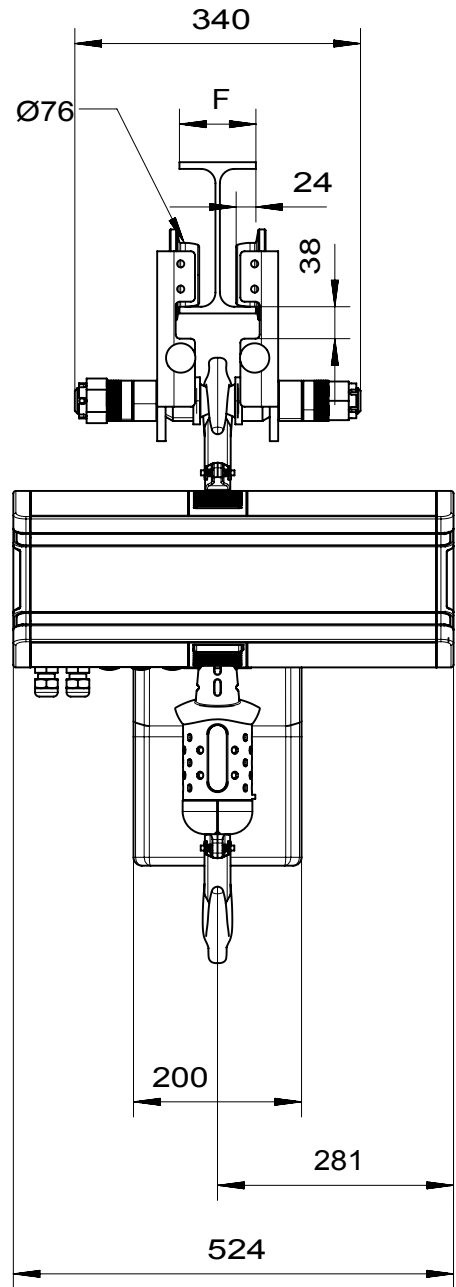
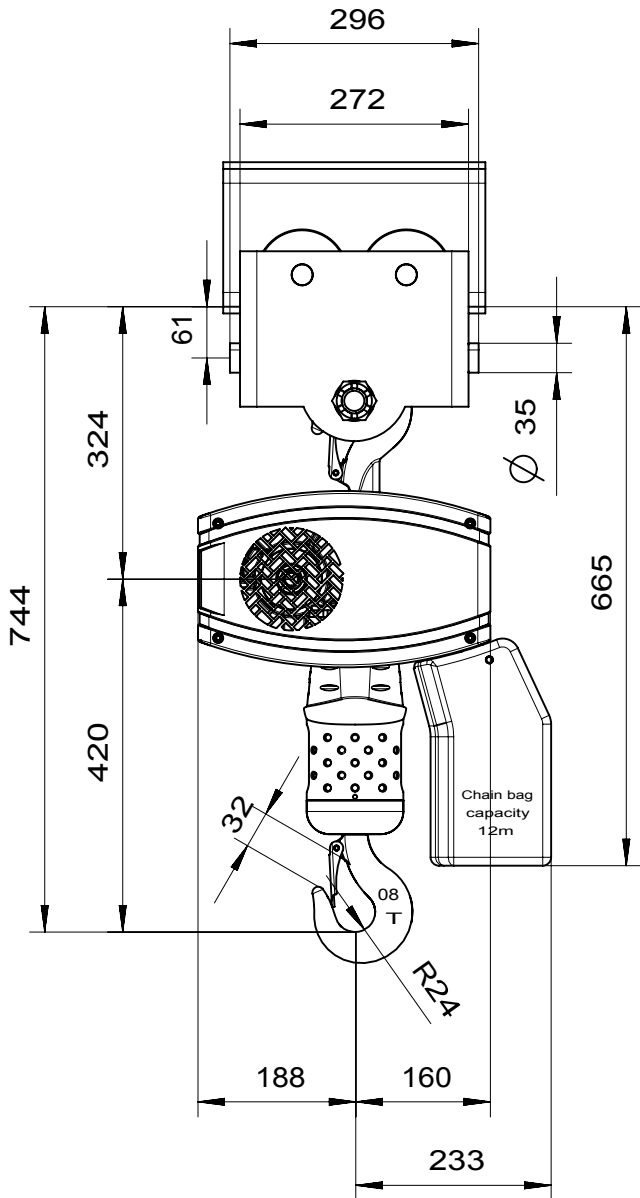


Fixed to push trolley HPT 2000kg - Dual falls (perpendicular version)



$$88 < F < 200$$

	Without chain	With 6m of chain
Weight	74.4 kg	81 kg