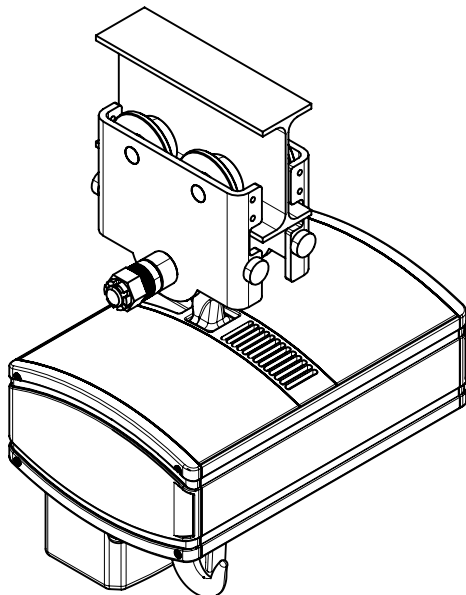
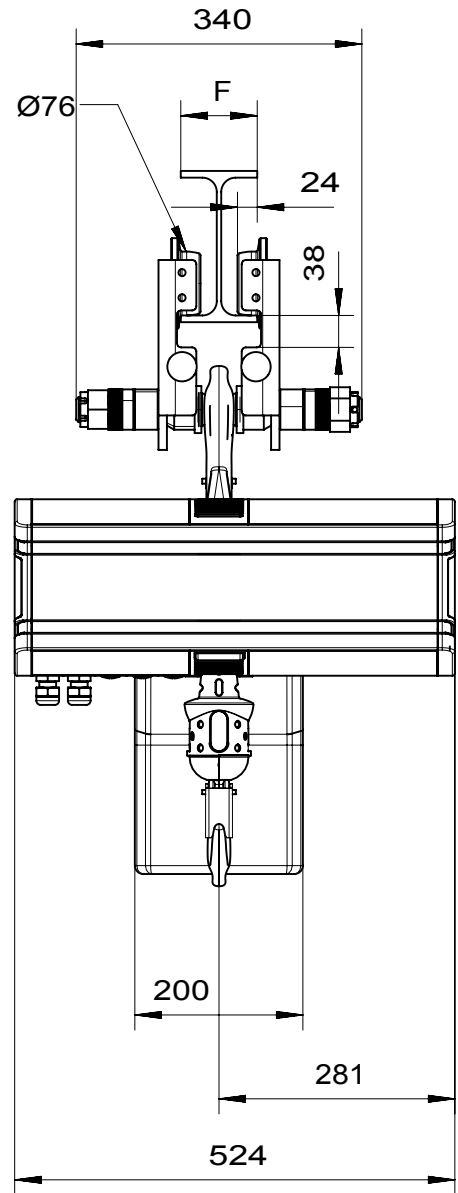
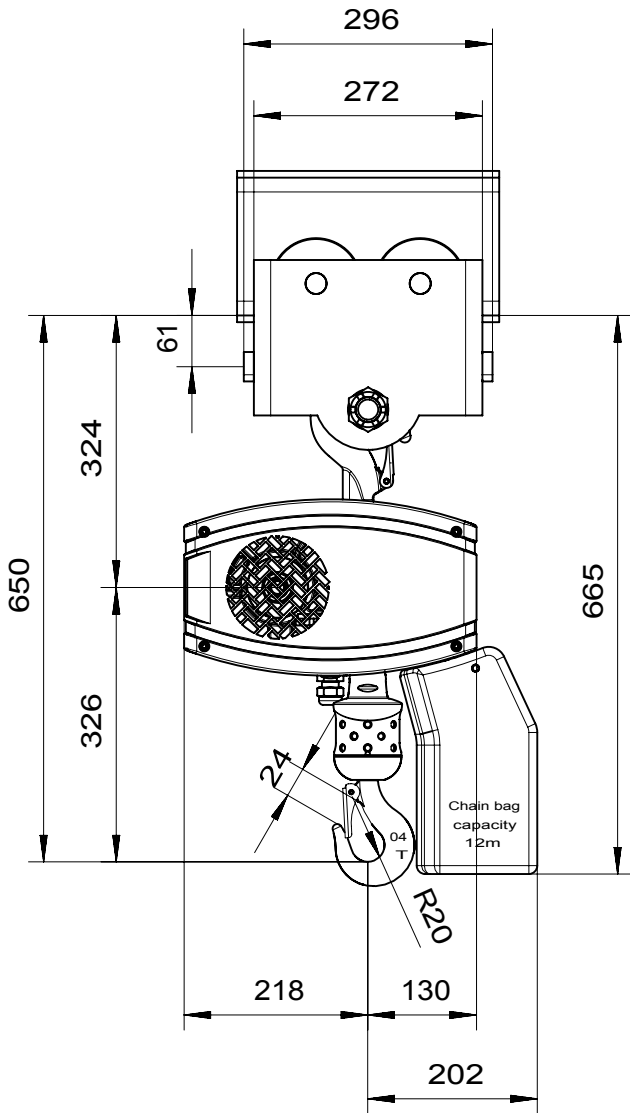


Fixed to push trolley HPT 2000kg (perpendicular version)



$$88 < F < 200$$

| | Without chain | With 3m of chain |
|--------|---------------|------------------|
| Weight | 68.6 kg | 71.9 kg |