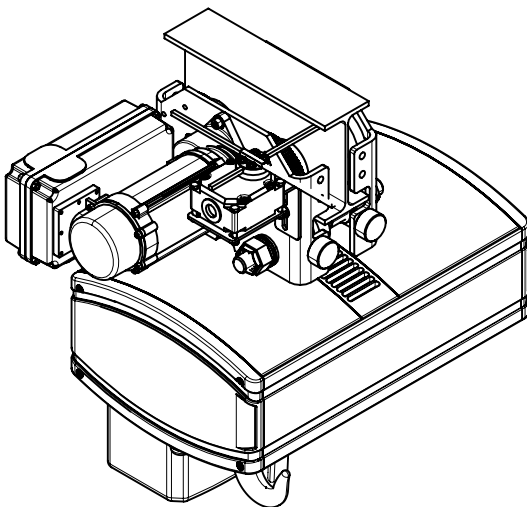
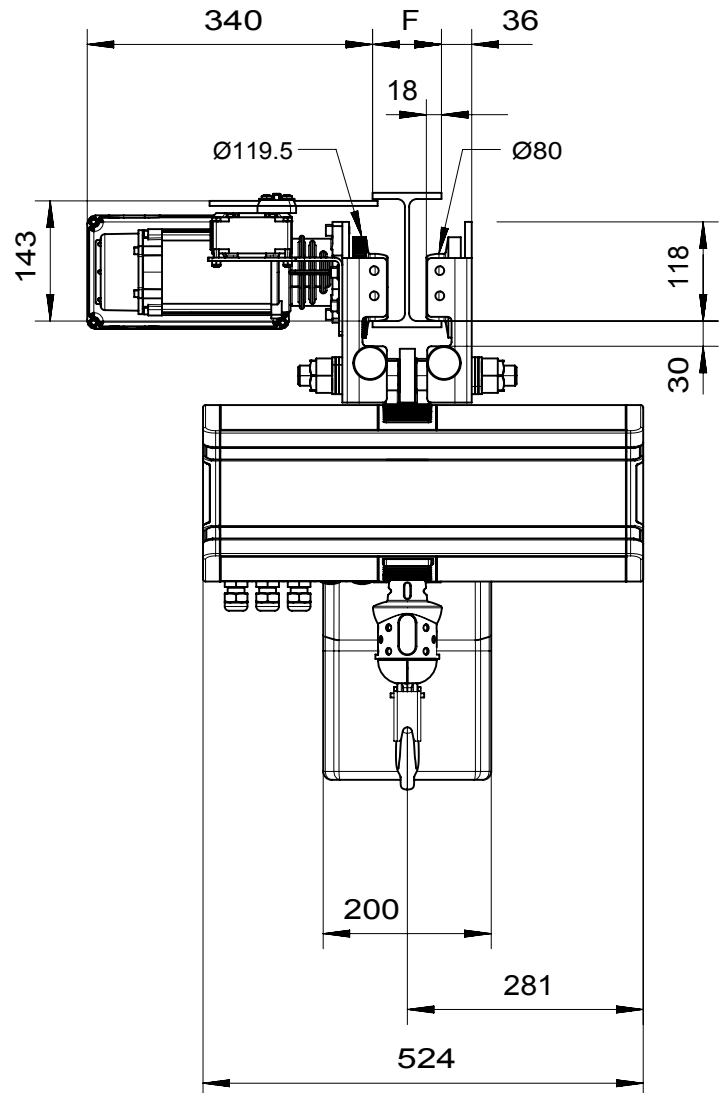
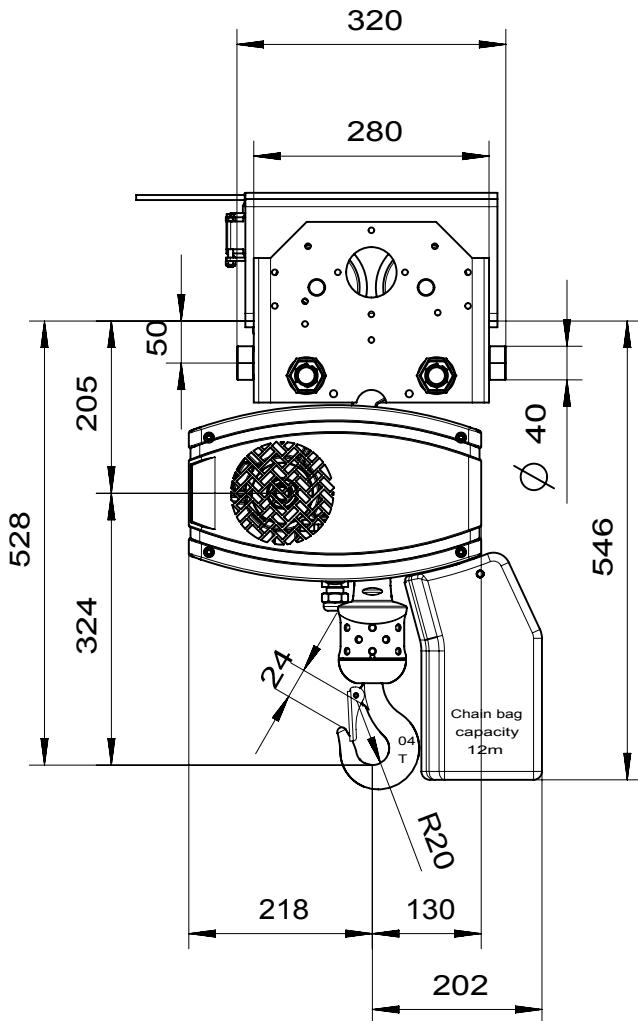


Fixed to normal electric travel trolley C2 (perpendicular version)



$$64 < F < 310$$

	Without chain	With 3m of chain
Weight	84.3 kg	87.6 kg